



## HAGS Ski Stepper

### 8061982

14+	3	430	14	1

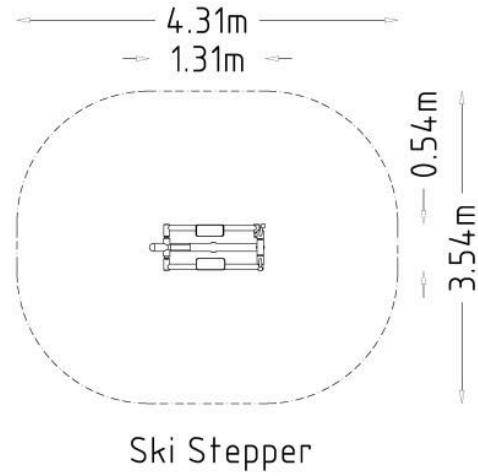
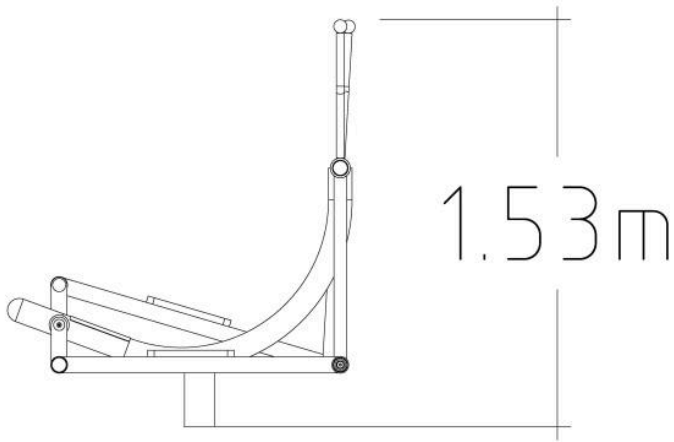
The HAGS Ski Stepper provides a comfortable, low impact workout that targets leg and hip muscles while enhancing cardiovascular endurance. Perfect for building balance and coordination, this outdoor fitness equipment offers a gentle yet effective exercise option. Designed for easy access and simple use, the Ski Stepper is a low maintenance addition to any outdoor gym, ideal for users of all fitness levels looking to improve strength and endurance. This variant is yellow.

**CC** Cast In Place

3540 x 4310

Yellow  
Yellow

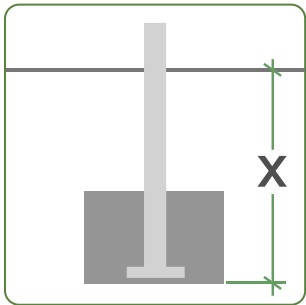
Age Range	Number Of Users	Assembly time	Free Height Fall EN1176	Impact Area EN1176	Wheelchair Accessible	Space Needed



## Specifications

Age Range:	14+
Length (mm):	1310 mm
Width (mm):	540 mm
Height (mm):	1530 mm
Net Weight:	97 kg
Safety Area Width (mm):	3540 mm
Safety Area Length (mm):	4310 mm
Safety Area :	14 m <sup>2</sup>
Fall Height (mm):	430 mm
Assembly Time:	3 Hours

## Anchoring



Cast In Place



**Recycled:** Made from materials that have been processed and reused instead of discarded.

**Recyclable:** Can be collected, processed, and turned into new products instead of becoming waste.

**Renewable:** Comes from natural sources that can replenish over time such as sustainably harvested wood.

Transparency is key for HAGS. Our materials come from various suppliers, therefore the Recycled, Recyclable, and Renewable percentages are shown as the maximum possible values used in the materials. As we source more sustainable materials, these numbers will change.

Material	kg	%	Recycled	Recyclable	Renewable
Aluminum	0.162	0.17	0%*	100%	0%
Polyamide (PA)	1.52	1.57	0%	100%	0%
Powder coating polyester	0.375	0.39	0%	0%	0%
Powder Coating primer	0.375	0.39			
Stainless steel	9.37	9.67	90%	100%	0%
Untreated Steel	85.141	87.83	69%	100%	0%
	<b>97 kg</b>	<b>100%</b>			

\*We use REDUXA, a high-quality, certified **low-carbon aluminum**, produced using renewable energy (mainly hydro and wind power). Its carbon footprint is **max 4.0 kg CO<sub>2</sub> per 1 kg of aluminum**, which is about one-quarter of the global average (approx. 16 kg CO<sub>2</sub> per 1 kg). It is produced using clean energy and modern, energy-efficient technologies.





Structural Steel



High Pressure Laminate (HPL)



Nordic Pine Wood



FSC Certified Hardwood



Thermally Treated Nordic Pine Wood



Steel Core Rope



Recycled Plastic



Aluminium



Rubber,



Fasteners

For more information on our materials, please visit the **Materials** page via **About**.

For more information on our product warranties, please visit the **Warranties** page via **About**.

**Please note:** These warranties are applicable solely to HAGS products. Third-party items may come with their own separate warranty terms. For further details, feel free to **contact us**.



## Welcome to the world of HAGS

We want to help people experience life the HAGS way. We inspire all generations to open their imaginations and explore the world through play and connection. We strive to connect people to the outdoors to harmonise with nature. We contribute to helping communities get happier and healthier through exercise. We are dedicated to ensuring safe and effortless access to boats and the sea by developing user-friendly and efficient docking systems.

### But wait, there's more to our story...

...we achieve these goals through our exceptional range of play equipment, essential park and urban furniture, as well as our excellent sport and fitness equipment.

### Guide to HAGS symbols

Our products are labelled with symbols showing assembly time, recommended age, inclusive play, free fall height, space required, etc. See below for the symbols used in this brochure.



Age Range



Number Of Users



Assembly time



Free Height Fall  
EN1176



Impact Area  
EN1176



Wheelchair  
Accessible



Space Needed

For more information about all our amazing products, please visit [www.hags.com](http://www.hags.com)