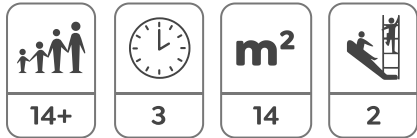




HAGS Push Hands

8061990



CC Cast In Place

★ 3990 x 3950

Yellow

The HAGS Push Hands is an inclusive outdoor fitness station designed for two users to enjoy simultaneously, promoting upper body flexibility and coordination from the waist to the shoulders. Its unique design features a lower section accessible to wheelchair users, making it ideal for people of all abilities. This low impact equipment supports gentle movement based exercises, aiding recovery and providing a light workout option for users of varying fitness levels. Perfect for parks, outdoor gyms, and community fitness areas, the Push Hands encourages social interaction and accessible fitness. This variant is yellow.



Age Range



Number Of Users



Assembly time



Free Height Fall
EN1176



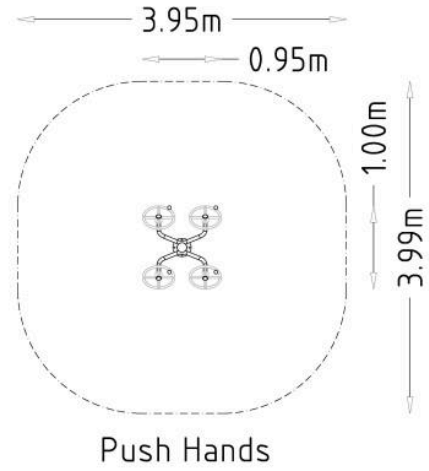
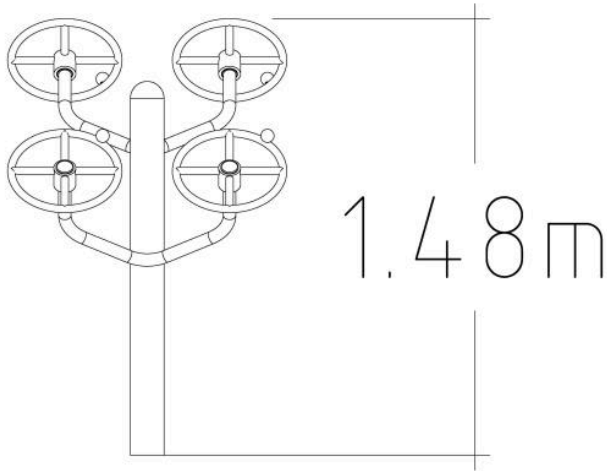
Impact Area
EN1176



Wheelchair
Accessible



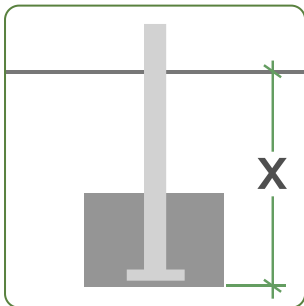
Space Needed



Specifications

| | |
|--------------------------|-------------------|
| Age Range: | 14+ |
| Length (mm): | 950 mm |
| Width (mm): | 1000 mm |
| Height (mm): | 1480 mm |
| Net Weight: | 49 kg |
| Safety Area Width (mm): | 3990 mm |
| Safety Area Length (mm): | 3950 mm |
| Safety Area : | 14 m ² |
| Assembly Time: | 3 Hours |

Anchoring



Cast In Place



Recycled: Made from materials that have been processed and reused instead of discarded.

Recyclable: Can be collected, processed, and turned into new products instead of becoming waste.

Renewable: Comes from natural sources that can replenish over time such as sustainably harvested wood.

Transparency is key for HAGS. Our materials come from various suppliers, therefore the Recycled, Recyclable, and Renewable percentages are shown as the maximum possible values used in the materials. As we source more sustainable materials, these numbers will change.

| Material | kg | % | Recycled | Recyclable | Renewable |
|--------------------------|--------------|-------------|----------|------------|-----------|
| Aluminum | 0.256 | 0.52 | 0%* | 100% | 0% |
| Polyamide (PA) | 1.08 | 2.2 | 0% | 100% | 0% |
| Powder coating polyester | 0.25 | 0.51 | 0% | 0% | 0% |
| Powder Coating primer | 0.25 | 0.51 | | | |
| Stainless steel | 1.488 | 3.04 | 90% | 100% | 0% |
| Untreated Steel | 45.662 | 93.21 | 69% | 100% | 0% |
| | 49 kg | 100% | | | |

*We use REDUXA, a high-quality, certified **low-carbon aluminum**, produced using renewable energy (mainly hydro and wind power). Its carbon footprint is **max 4.0 kg CO₂ per 1 kg of aluminum**, which is about one-quarter of the global average (approx. 16 kg CO₂ per 1 kg). It is produced using clean energy and modern, energy-efficient technologies.





Structural Steel



High Pressure Laminate (HPL)



Nordic Pine Wood



FSC Certified Hardwood



Thermally Treated Nordic Pine Wood



Steel Core Rope



Recycled Plastic



Aluminium



Rubber,



Fasteners

For more information on our materials, please visit the **Materials** page via **About**.

For more information on our product warranties, please visit the **Warranties** page via **About**.

Please note: These warranties are applicable solely to HAGS products. Third-party items may come with their own separate warranty terms. For further details, feel free to **contact us**.



Welcome to the world of HAGS

We want to help people experience life the HAGS way. We inspire all generations to open their imaginations and explore the world through play and connection. We strive to connect people to the outdoors to harmonise with nature. We contribute to helping communities get happier and healthier through exercise. We are dedicated to ensuring safe and effortless access to boats and the sea by developing user-friendly and efficient docking systems.

But wait, there's more to our story...

...we achieve these goals through our exceptional range of play equipment, essential park and urban furniture, as well as our excellent sport and fitness equipment.

Guide to HAGS symbols

Our products are labelled with symbols showing assembly time, recommended age, inclusive play, free fall height, space required, etc. See below for the symbols used in this brochure.



Age Range



Number Of Users



Assembly time



Free Height Fall
EN1176



Impact Area
EN1176



Wheelchair
Accessible



Space Needed

For more information about all our amazing products, please visit www.hags.com