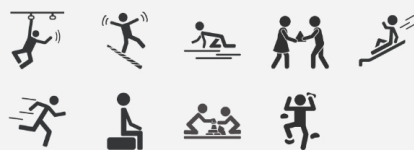


# GGJS 1003-P

## PRODUCT INFORMATION

Dimensions (W x L x H) : **2.70 x 4.15 x 2.95m**  
 Age Group : **3-12 years**  
 Capacity : **5**  
 Fall Height : **1.15 m**  
 Safety Area : **32.00 m<sup>2</sup>**

## ACTIVITIES



## SKILL EXPERIENCES



## JUNGLE SERIES - GGJS 1003-P

**Jungle Series** is made up of platforms in three different geometries, triangular, square and pentagonal, with different levels of difficulty, designed to develop the motor skills of children aged 2-12 and to reveal their competitive side. This series, based on the concept of the earth and the jungle, consists of rope bridges and climbing frames in different geometric shapes and chrome slides at different heights.



## GGJS 1003-P



### HPL Material

HPL (High Pressure Laminate) panels are commonly used in playgrounds due to their durability and resistance to outdoor conditions. Manufactured under high pressure and heat, these panels are resistant to scratches, impact, moisture, and UV rays, making them ideal for heavily used outdoor areas like children's parks. With colorful and patterned surface options, they offer both aesthetic appeal and long-lasting performance.



### HDPE/HPL Slide

The sliding surface of the equipment is made of high UV-resistant HDPE material, which serves as an alternative to stainless steel slides in sunny environments. The sides of the slide are manufactured from HPL and HDPE materials.



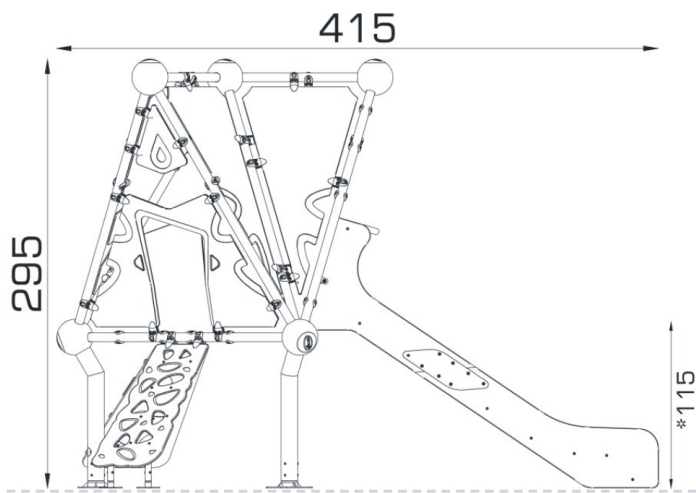
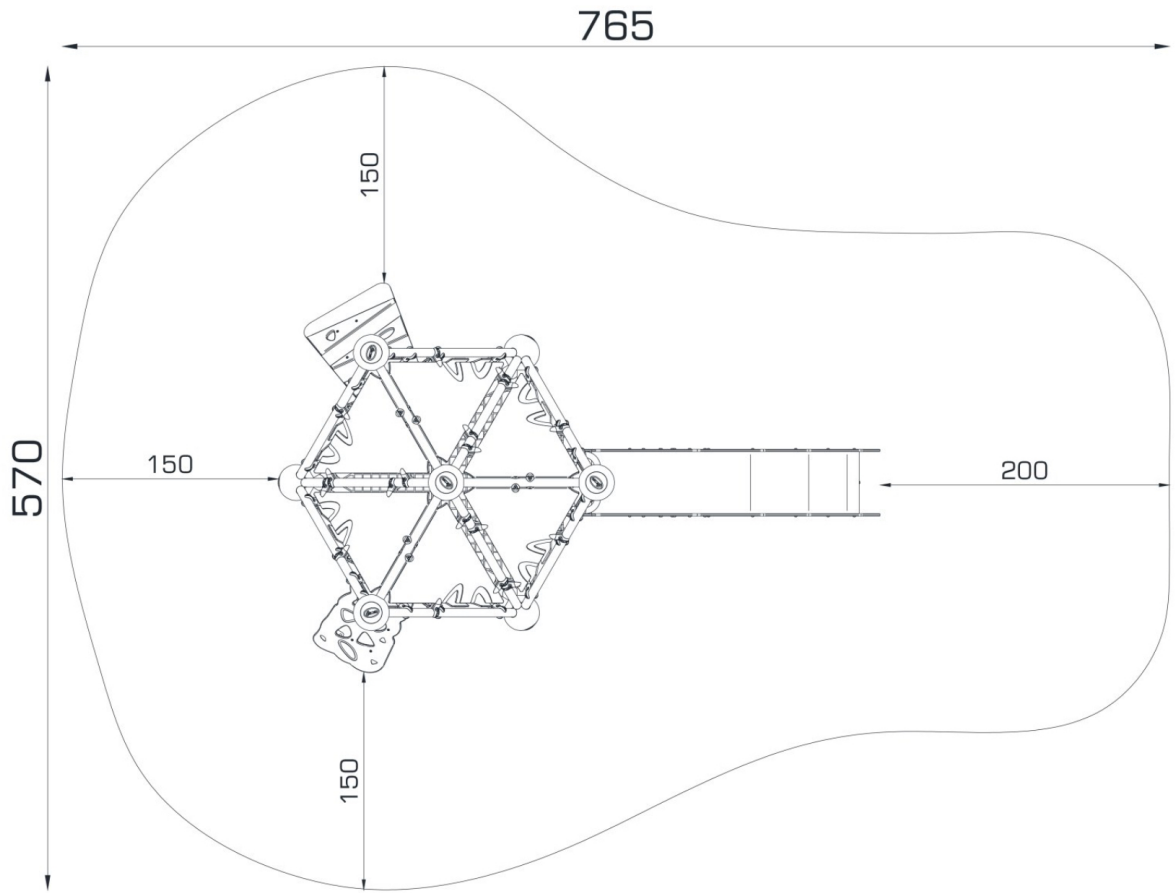
### Sphere

Single-casing aluminum cast spheres with anticorrosion treatment are placed at junctions. These spheres are designed with integrated bedding for connecting pipes.

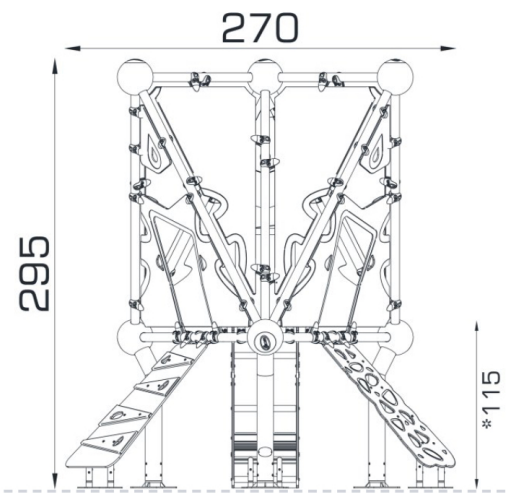


### ST37 Metal

ST 37 is a versatile structural steel known for its low carbon content, which allows for easy forming and exceptional weldability. Widely preferred in applications where safety and durability are paramount, such as playground equipment, this metal stands out for its balanced mechanical performance and high load-bearing capacity. Its surface is highly suitable for chrome plating, galvanization, or powder coating, providing superior resistance to outdoor conditions and effective protection against corrosion.



FRONT VIEW

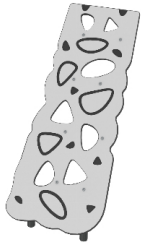


SIDE VIEW

\*Maximum Fall Height Measurements shown are in centimeters.

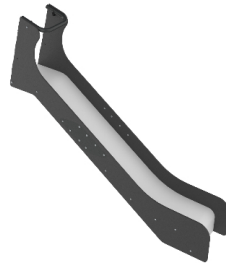
# GGJS 1003-P

## FEATURED PLAY VALUES



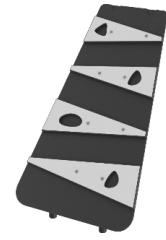
### CLIMBING

It develops children's balance and coordination skills. Stepping carefully to maintain balance strengthens motor skills and builds self-confidence. It offers children a fun and engaging playground experience .



### SLIDE

The slide boosts balance, muscle development, and physical activity. It enhances empathy, provides a safe sliding experience, builds courage, improves speed perception, and supports coordination skills.



### CLIMBING

It develops children's balance and coordination skills. Stepping carefully to maintain balance strengthens motor skills and builds self-confidence. It offers children a fun and engaging playground experience .

# GGJS 1003-P



### HANGING

To hang in arms is the act of carrying the body with the hands or arms, possible to traverse to another platform or play item.



### PULL

To pull is the act of pulling item towards you or you towards an item with one or both hands, or possibly with the entire body.



### ROTATE

To rotate involves a vertical or horizontal slower paced turn of the body, facilitated by a piece of equipment.



### BALANCE

To balance is to stay upright when walking or standing on a surface that makes this challenging.



### SPIN

To spin involves a fast, repeating horizontal or vertical turn of the body on a piece of equipment that facilitates social interaction.



### CRAWLING

To crawl is the movement of moving forwards or backwards, cross-coordinating arms and legs, on a horizontal or slightly incline surface.



### ACCESSIBLE

These are special areas where children with disabilities can play and have fun and without feeling different.



### COLLABORATION

Collaboration is the feature of the playgroup to bring all children together, regardless of gender, enabling them to play and interact around a shared goal.



### INTERACTION

It is children's communicating with the play group by touching and feeling.



### PUSH

To push is the act of pushing an item away from you with one or both hands, possibly with the entire body.



### SLIDE

To slide is the act of moving fast downwards stand on a slide.



### RUNNING

Running is an activity that encourages children to interact with the playgroup by running and develop physically.



### SOUND-RHYTHM

Sound and rhythm transform children's movements in the play area into an artistic exploration, simultaneously developing both their motor skills and auditory perception.



### SITTING

It is an area where children can rest while sitting and have fun.



### ROLE PLAY

Role play is motivated through play items that stage a frame, place or environment for acting out make believe or role play scenarios.



### ROCK

To rock is the action of rocking back and forth, or sideways, on e.g. a piece of spring equipment.



### SWING

To swing is the movement of swinging back forth, of in circular movement, seated, standing or lying, in a unhindered arc.



### SOCIALIZE

To socialize is the act of meeting, communicating or cooperating in an activity that stimulates and facilitates social interaction.



### GLIDE

To glide is the act of moving from one point to another without shifting the feet, in a horizontal or vertical movement in a seated, lying or standing position, letting gravity do the work.



### CLIMBING

To climb is the act of moving upwards, cross coordinating arms and legs, on a vertical or inclined surface or net.



### BOUNCING

To bounce is the act of bouncing on a responsive, flexible, elastic or tensile surface.



### LOGICAL REASONING

Reasoning is a cognitive process of discovery within the playgroup that enhances children's problem-solving and analytical thinking skills through strategic obstacles and logical steps.